

Sammy
ON STATE



DIY RUSTIC BATHROOM VANITY

WWW.SAMMYONSTATE.COM

SUPPLIES

- (2) – 4 x 4 x 8'
- (1) – 1 x 2 x 8'
- (2) – 1 x 3 x 8'
- (1) – 1 x 6 x 8'
- (3) – 1 x 4 x 8'
- 1/4" x 2' x 4' Sanded Plywood Sheet
- 2 1/2" screws
- 1 1/4" screws
- 3/4" screws (optional)
- Wood Glue (optional)
- 18" Side Mount Drawer Slide
- Vanity Top

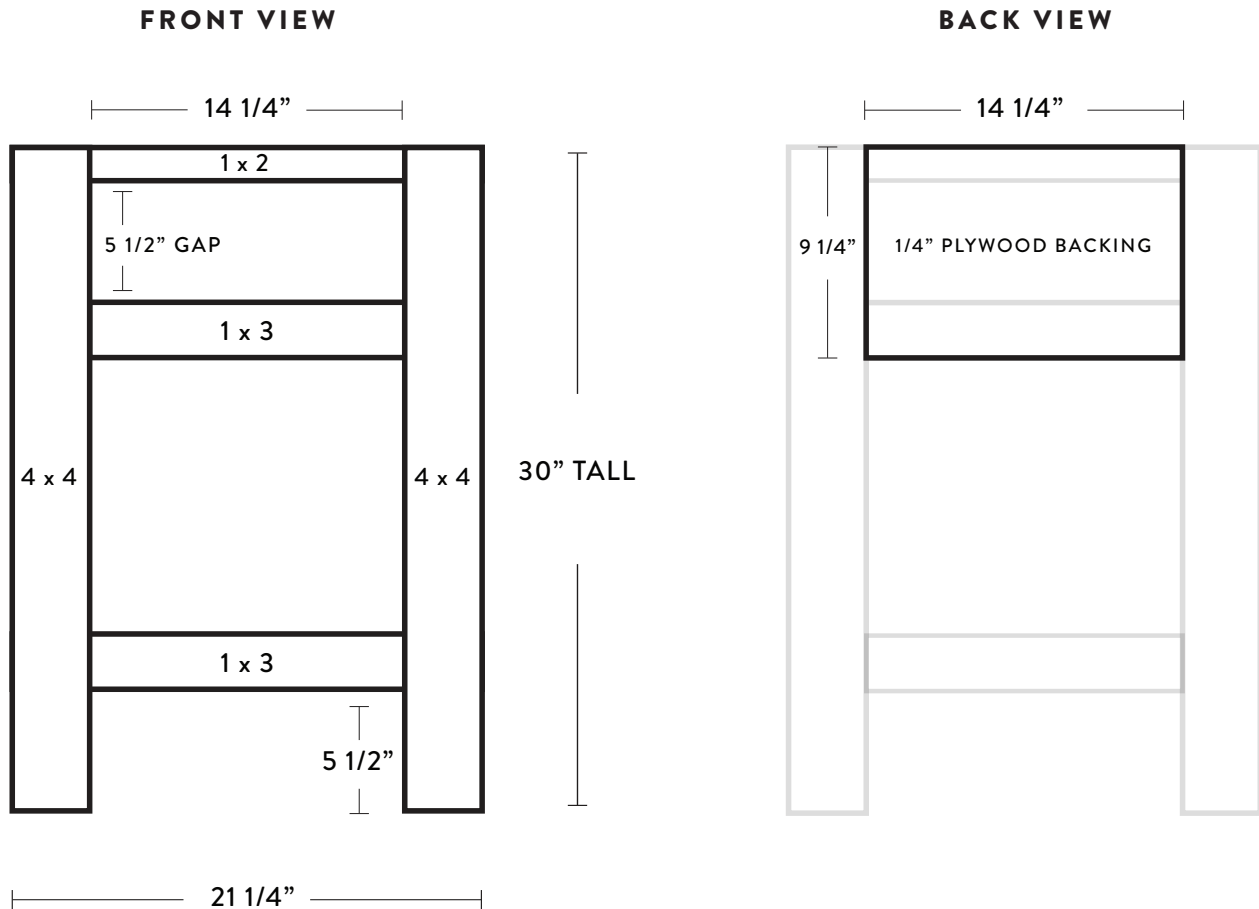
CUT LIST

- 4 – 4x4s cut to 30"
- 2 – 1x2s cut to 28 1/4"
- 2 – 1x2s cut to 14 1/4"
- 4 – 1x3s cut to 28 1/4"
- 4 – 1x3s cut to 14 1/4"
- 6 – 1x4s cut to 21 1/4"
- 2 – 1x6s cut to 21 1/4"
- 1 – 1x6 cut to 28 1/8"
- 2 – 1x4s cut to 7 1/2" • 1 – 1x4 cut to 27 1/2"
- 2 – 1x4s cut to 17 1/4" • 2 – 1x4s cut to 12"
- 1 – 1x4 cut to 12 1/2"
- 2 – plywood cut to 9 1/4" x 14 1/4"
- Drawer base using the 1/4" plywood (measurements based on drawer shape)

TOOLS

- Miter Saw
- Circular Saw
- Jigsaw
- Kreg Jig
- Nail Gun
- Sander
- Drill
- Pencil
- Speed Square
- Tape Measure
- Level
- Safety Goggles

STEP 1 - BUILD VANITY SIDES x2



DIRECTIONS

Drill pocket holes in all your 1x2s and 1x3s so you can attach them to your 4x4s (the vanity "legs"). Start by attaching all cross pieces to one of the 4x4s. Use the 2 1/2" screws for all of these. All cross pieces should be flush to the front of the 4x4s.

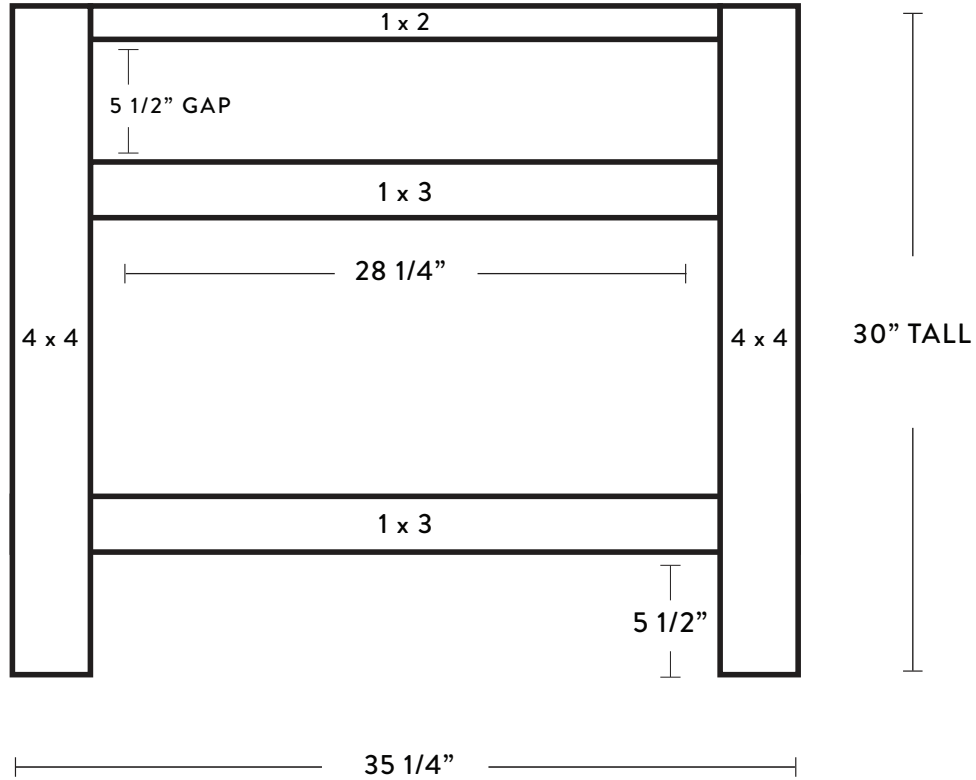
The top 1x2 should be flush to the top of the leg. Grab one of the 1x3s and attach it 5 1/2" from the bottom of the 1x2. The bottom 1x3, (for the shelf), should be 5 1/2" from the floor.

Grab another 4x4. Line it up, and attach it to the cross supports that were added to the first 4x4. Repeat these above steps to make the other vanity side.

Attach your cut pieces of plywood to the backs of the 1x2 and 1x3 pieces on each side of the vanity. You can use 3/4" wood screws, or wood glue, or a nail gun (if you have short enough nails) to attach the plywood pieces.

STEP 2 - ATTACH FRONT & BACK CROSS SUPPORTS

FRONT & BACK VIEW



DIRECTIONS

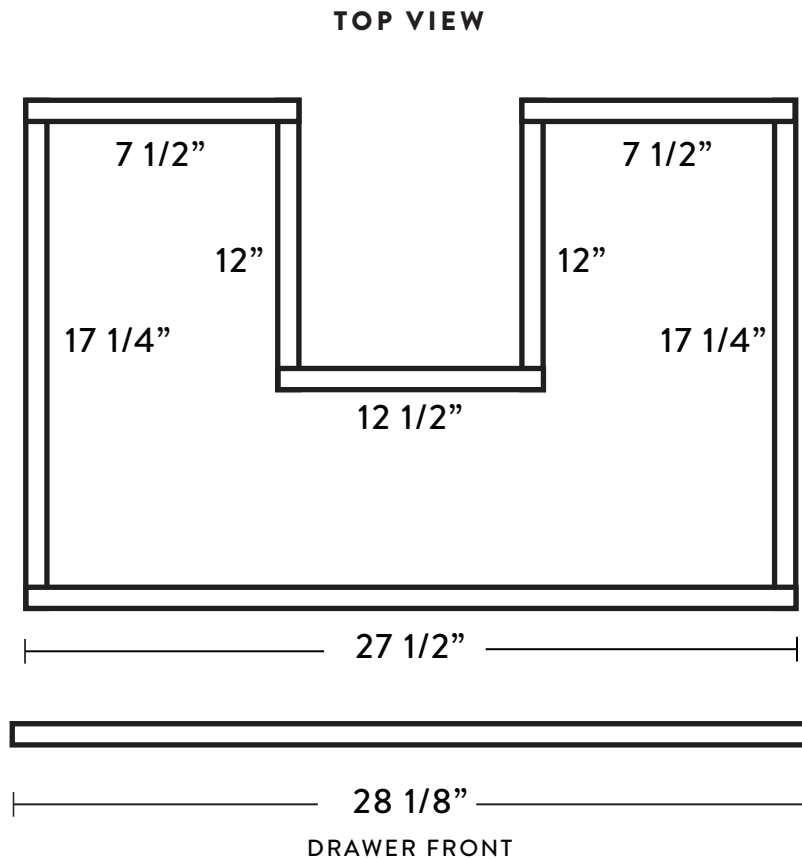
Drill pocket holes in all your 1x2s and 1x3s so you can attach them both of the vanity sides you just built.

Grab one of the bathroom vanity sides and start to attach either the front or back (doesn't matter which one you start with at this point since they are the same) 1x2s and 1x3s, just as we did for the sides. Use 2 1/2" screws for all of these pieces as well.

All cross pieces should be flush to the front of the 4x4s. The top 1x2 should be flush to the top of the 4x4. Attach one 1x3, 5 1/2" from the bottom of the 1x2. This space created will be where the front of the drawer will be placed (if you are building the front first). Attach the other 1x3, 5 1/2" from the floor for the bottom shelf.

Tip - Double-check the width of your 1x6 board that will be the drawer front. It should be 5 1/2" in size, but sometimes it could be 1/32th off, depending on your quality of wood. You could always cut your front drawer piece and use it as a "spacer" when attaching the 1x3 piece below the drawer front so you know it will fit in-between the space.

STEP 3 - BUILD THE DRAWER FRAME

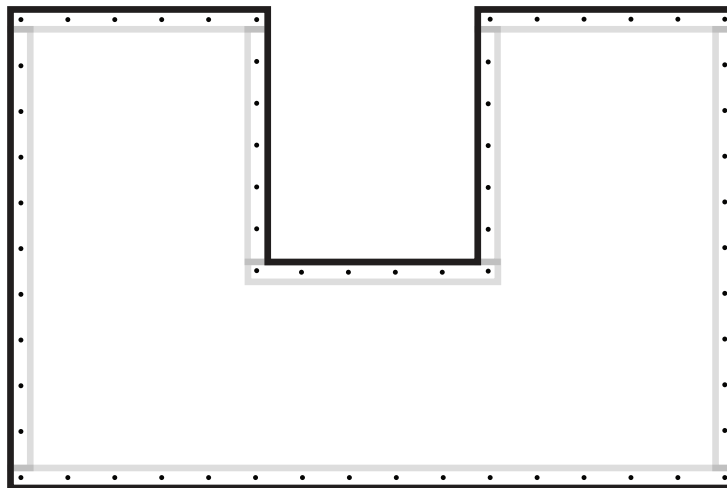
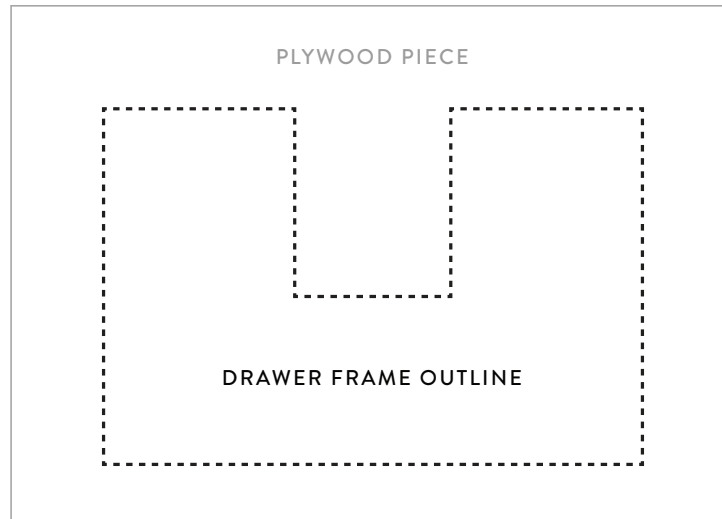


DIRECTIONS

Use 1 1/4" screws to attach all the pieces together. You can use your Kreg Jig to attach all the pieces for a cleaner look, or you can just screw into the ends of the pieces. However, since you'll be attaching the front 1x4 of the drawer, to the drawer face piece (the 1x6), you should use pocket holes to attach the 2 sides (17 1/4" pieces), to the front piece (27 1/2" 1x4) so the screw heads do not get in the way of attaching the entire drawer to the drawer face.

Tip - The reason the drawer is a 'U' shape is because of the sink plumbing. We did a dry fit of the counter-top and sink before we built the drawer. The front part of the drawer needs to clear the drainpipe when the drawer is fully pushed in. All plumbing is different, so make sure you check the measurements and placement of your drain plumbing before making this drawer. You may just have to adjust some of the measurements we have to make it work for your sink and plumbing.

STEP 4 - CUT & ATTACH THE DRAWER BOTTOM



NAIL BOTTOM TO DRAWER FRAME

DIRECTIONS

You'll need a jigsaw to cut the drawer bottom, and your nail gun to attach it onto the sides of the drawer.

Take the drawer frame that you built and set it on top of your plywood. Use your pencil and trace around the *outside* of the drawer onto the plywood piece. Take the drawer off the plywood and cut the plywood piece based on the outline of the drawer you just created. Make sure to cut in the *inside* of your line using your jigsaw.

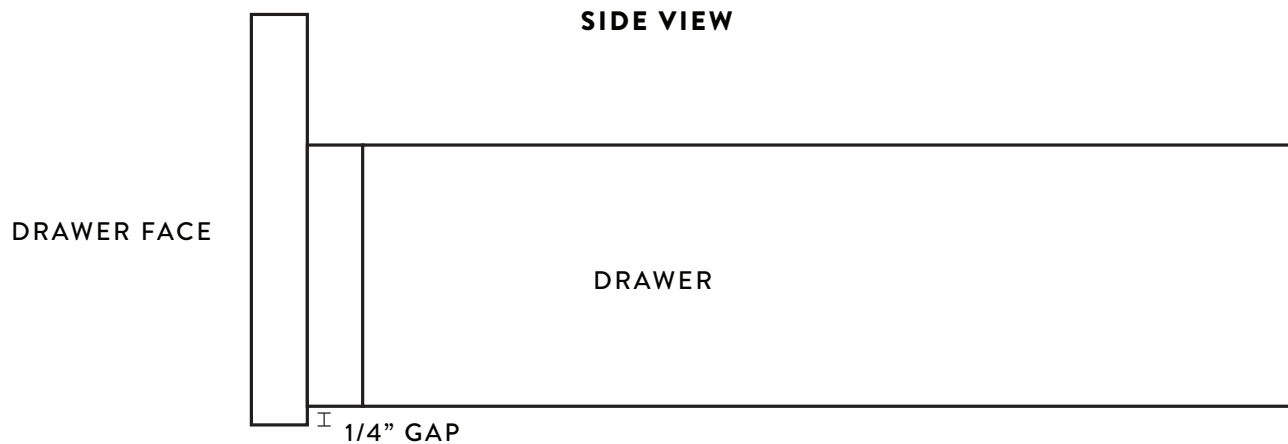
Once the bottom piece is cut, nail it onto the drawer frame using your nail gun.

STEP 5 - ATTACH DRAWER TO DRAWER FACE

TOP VIEW



SIDE VIEW



DIRECTIONS

Once you've completed the drawer build, attach it to the front 1x6 piece using 1 1/4" screws. Position your drawer towards the bottom of the face piece, leaving 1/4" space from the bottom of the drawer face. Also, make sure your drawer face piece is centered and evenly spaced on the drawer itself.

STEP 6 - INSTALL DRAWER MOUNTS



DIRECTIONS

Use 18" Side Mount Drawer Slide. First, attach the roller part of the slides onto the bottom of the drawer, using the screws that were provided with the slides.

Grab the other part of the slide mounts (for the sides of the vanity) and slide the drawer into the side mounts.

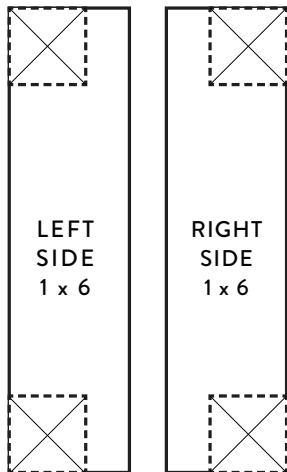
Take the entire drawer with the mounts (an extra set of hands will be helpful here!), and place it into the vanity to make your marks on the 4x4s for where you should install it.

Grab your level and make sure both sides are level. Once everything looks level and correct with placement, take the other screws that came with the slides and install the side mounts onto the 4x4s.

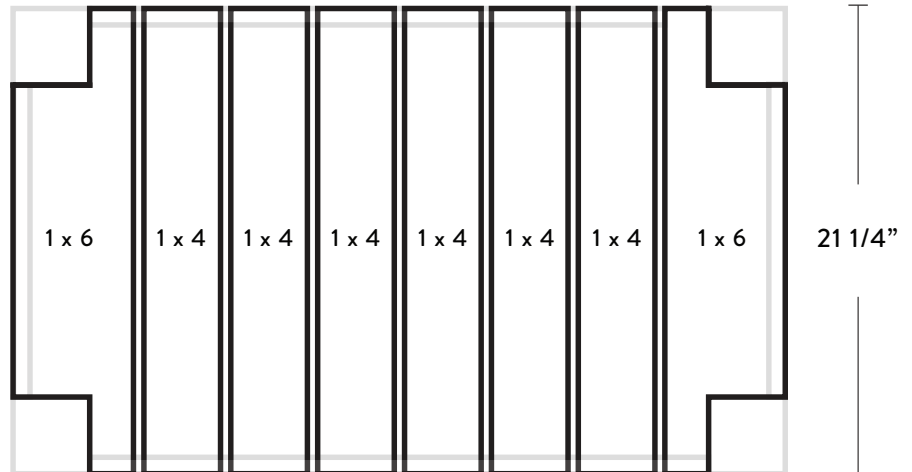
After the side mounts are installed onto the 4x4s, slide the drawer into place.

STEP 7 - CUT & ATTACH BOTTOM SHELF PIECES

1X6 NOTCHES



TOP VIEW OF SHELF



DIRECTIONS

Take your jigsaw and cut out notches on the ends of each 1x6 so the boards can fit around the 4x4 legs.

To measure: Take a leftover scrap piece of your 4x4 and trace the shape of it on the ends of your cut 1x6 boards. Or, measure the size of your 4x4 legs and make those marks on the 1x6s.

Nail or screw the 1x6s down on top of the 1x3s at each end of the vanity.

For the 1x4s: The gaps in between the boards end up being an odd number, that's not really divisible on a ruler. The closest ruler mark would be 15/32nd. Cut a piece of scrap at 15/32nd width and use it as a spacer/guide. Start at one end of the vanity and work your way to the other end. Nail or screw these down on top of the 1x3s.

Tip - We didn't install these shelf pieces until after the counter top, sink, and plumbing were installed. In doing so, it gave Brad plenty of space to work under the sink when installing the plumbing.

THAT'S IT!

We'd love to see your build!

Make sure to share with us on social media.

Either use #sammyonstate or tag us in your photo!



WWW.SAMMYONSTATE.COM